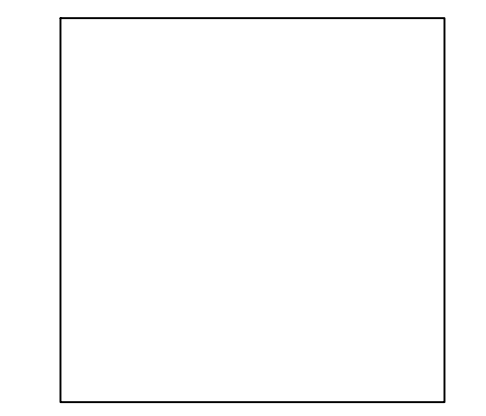


PLAN REFERENCE:
 BASE PLAN PER PLAN ENTITLED "LAYOUT PLAN", PREPARED FOR GREATER HARTFORD TRANSIT DISTRICT, BY GREGG WIES & GARDNER ARCHITECTS, LLC, 151 EAST STREET, NEW HAVEN, CT 06511, SCALE: 1"=40', DATED 06/18/2015

GENERAL NOTES



P.E. STAMP

No.	Revision/Issue	Date
1	Addendum 1	5/5/21

COMPREHENSIVE ENVIRONMENTAL INCORPORATED



GATEWAY CROSSING
 1 HARTFORD SQUARE-EAST, SUITE 227
 NEW BRITAIN, CT 06052



Mechanical • Electrical Engineering for Building Systems •
 P.O. Box 311 Farms Village Plaza • 244 Farms Village Road
 West Simsbury, CT 06092 • (860) 651-1948 fax: (860) 651-1957
 www.acornengineers.com

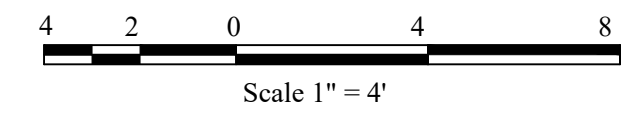
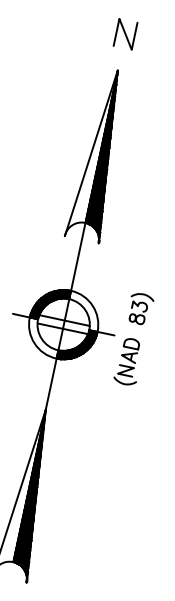
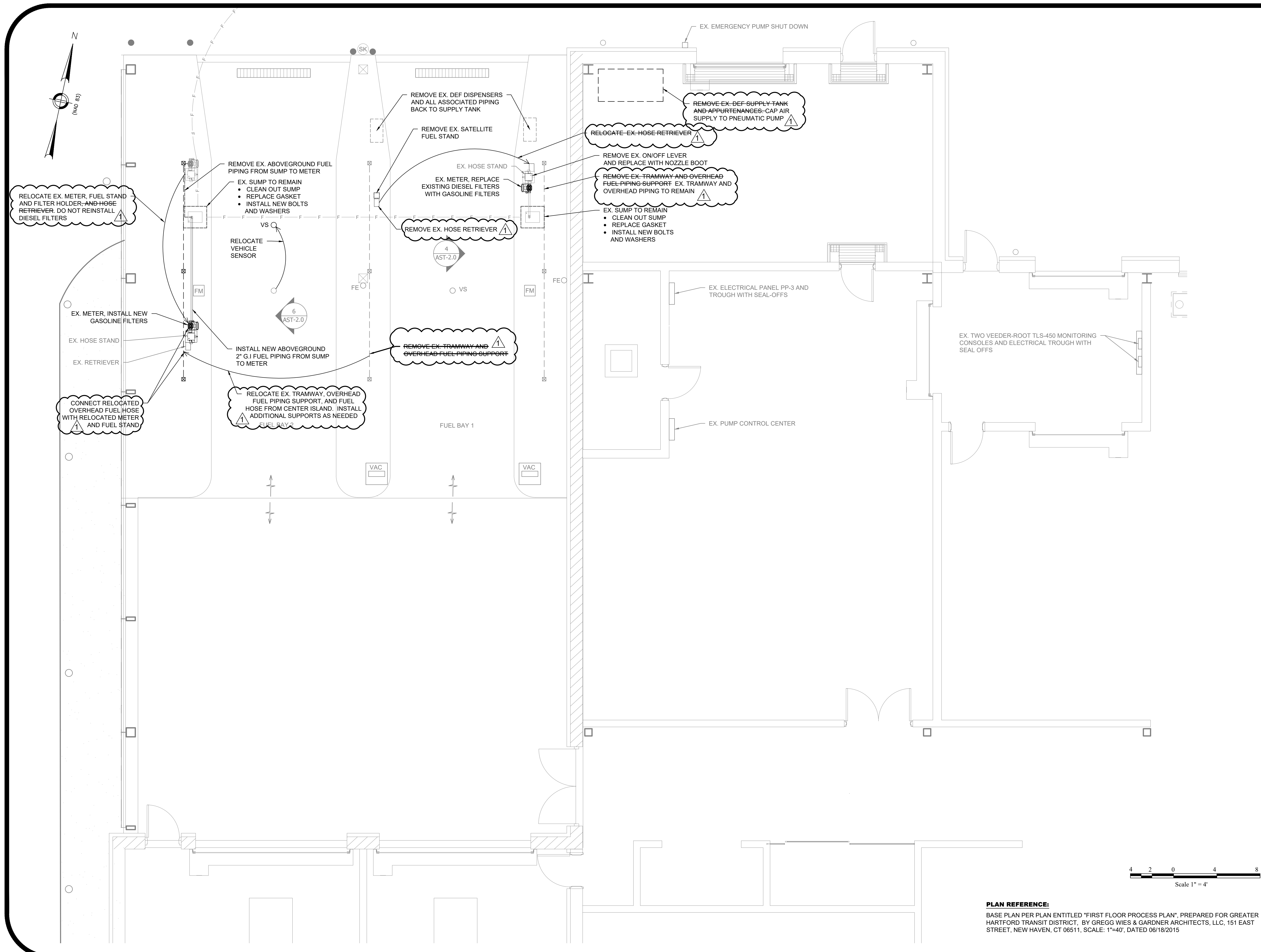


ENVIRONMENTAL SERVICES
 ENGINEERING SERVICES
 67 HALL ROAD
 STURBRIDGE, MA 01560
 PHONE: 774-281-0901
 FAX: 774-281-0906

OPTION 1 - AST REPLACEMENT GENERAL LAYOUT PLAN

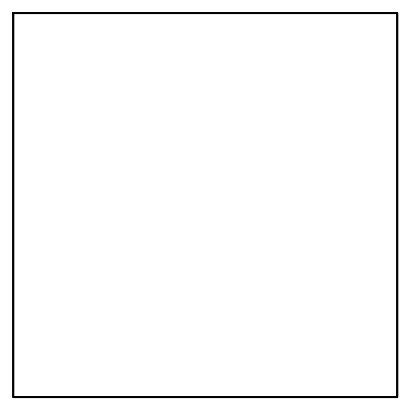
DIESEL TO GAS FUEL
 CONVERSION
 148 ROBERTS STREET
 EAST HARTFORD, CT 06108

Project No.: 2019-089	Sheet
Date: 01/19/2021	AST-1.0
Drawn By: SH	
Checked By: MS	
Scale: AS SHOWN	



PLAN REFERENCE:
 BASE PLAN PER PLAN ENTITLED "FIRST FLOOR PROCESS PLAN", PREPARED FOR GREATER HARTFORD TRANSIT DISTRICT, BY GREGG WIES & GARDNER ARCHITECTS, LLC, 151 EAST STREET, NEW HAVEN, CT 06511, SCALE: 1"=40', DATED 06/18/2015

GENERAL NOTES



P.E. STAMP

No.	Revision/Issue	Date
1	Addendum 1	5/5/21

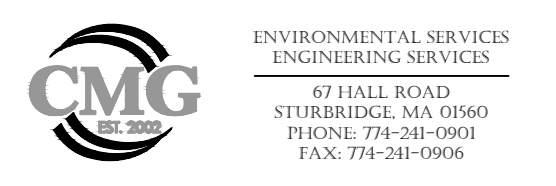
COMPREHENSIVE ENVIRONMENTAL INCORPORATED



GATEWAY CROSSING
 1 HARTFORD SQUARE-EAST, SUITE 227
 NEW BRITAIN, CT 06052



Acorn Consulting Engineers Inc
 Mechanical • Electrical Engineering for Building Systems
 P.O. Box 311 Farms Village Plaza • 244 Farms Village Road
 West Simsbury, CT 06092 • (860) 651-1914 • fax (860) 651-1957
 www.acornengineers.com

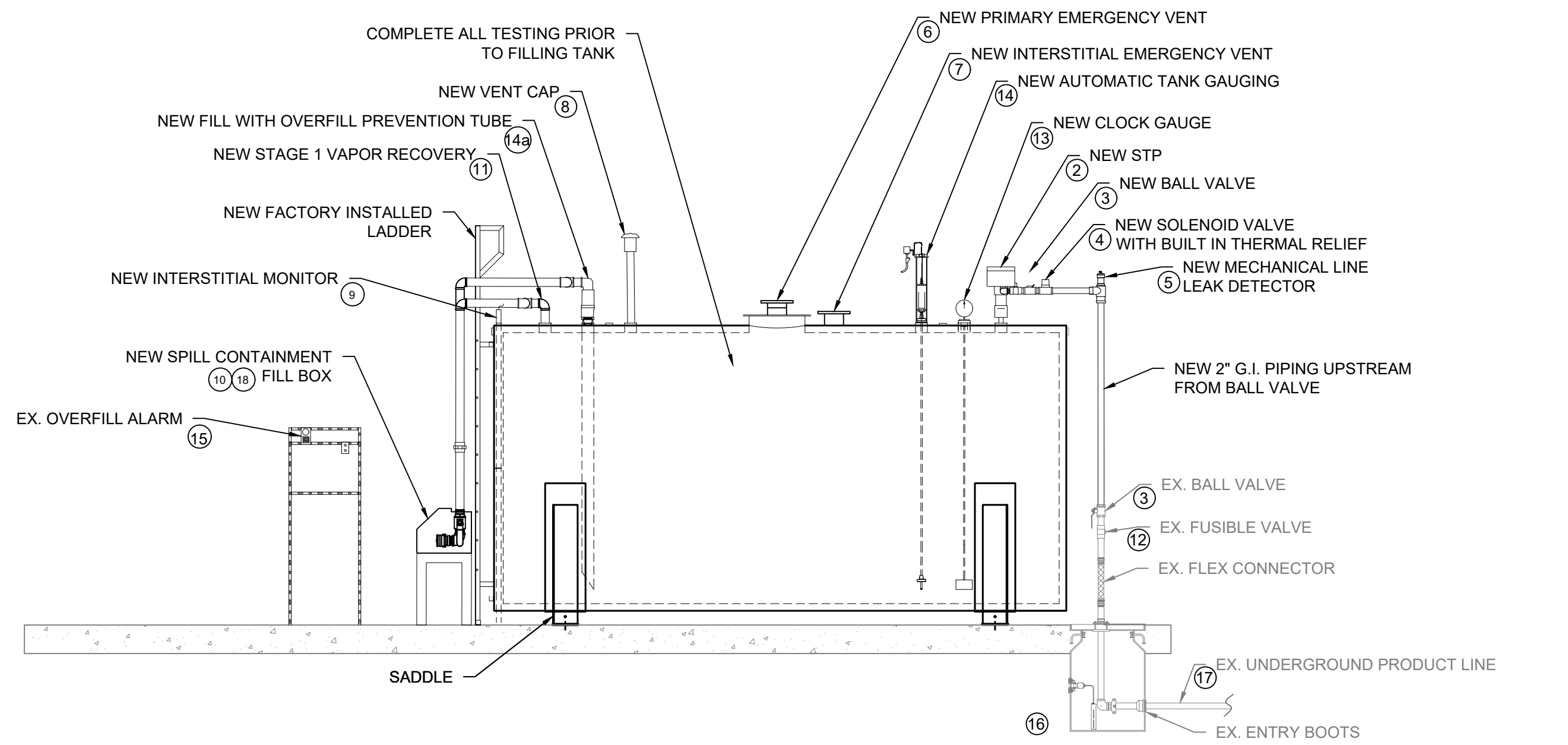


ENVIRONMENTAL SERVICES
 ENGINEERING SERVICES
 67 HALL ROAD
 STURBRIDGE, MA 01560
 PHONE: 774-341-0901
 FAX: 774-341-0906

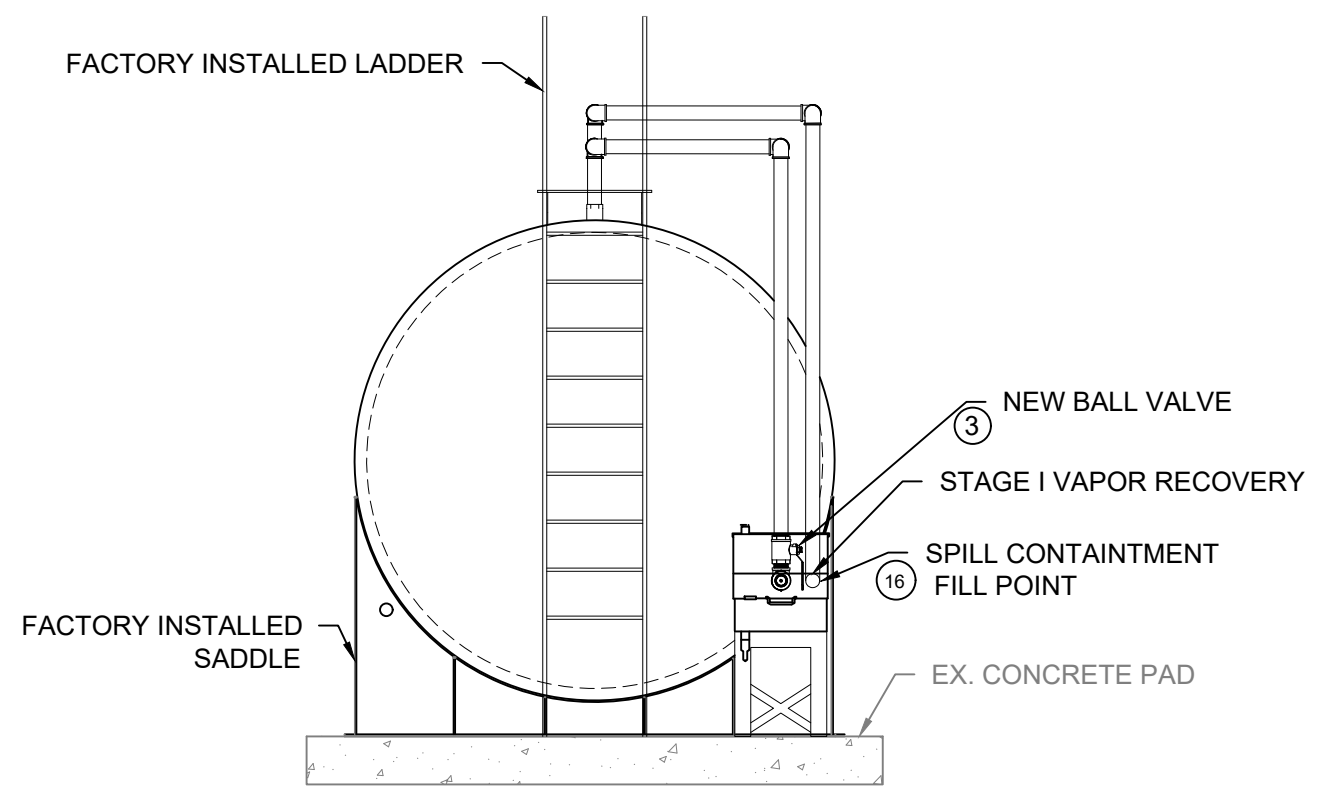
OPTION 1 - AST REPLACEMENT FLOOR PLAN

DIESEL TO GAS FUEL CONVERSION
 148 ROBERTS STREET
 EAST HARTFORD, CT 06108

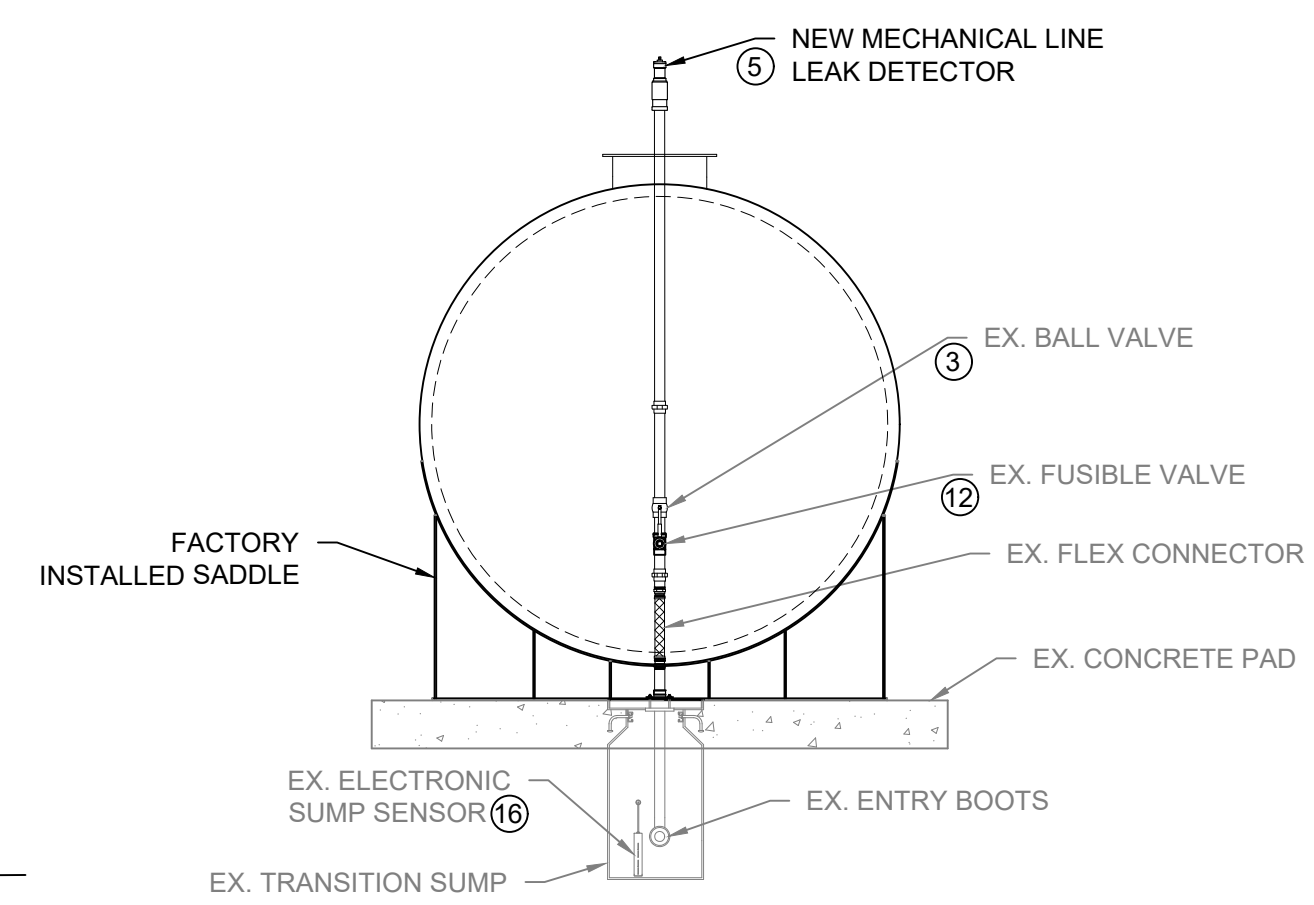
Project No.: 2019-089	Sheet
Date: 01/19/2021	AST-1.2
Drawn By: SH	
Checked By: MS	
Scale: AS SHOWN	



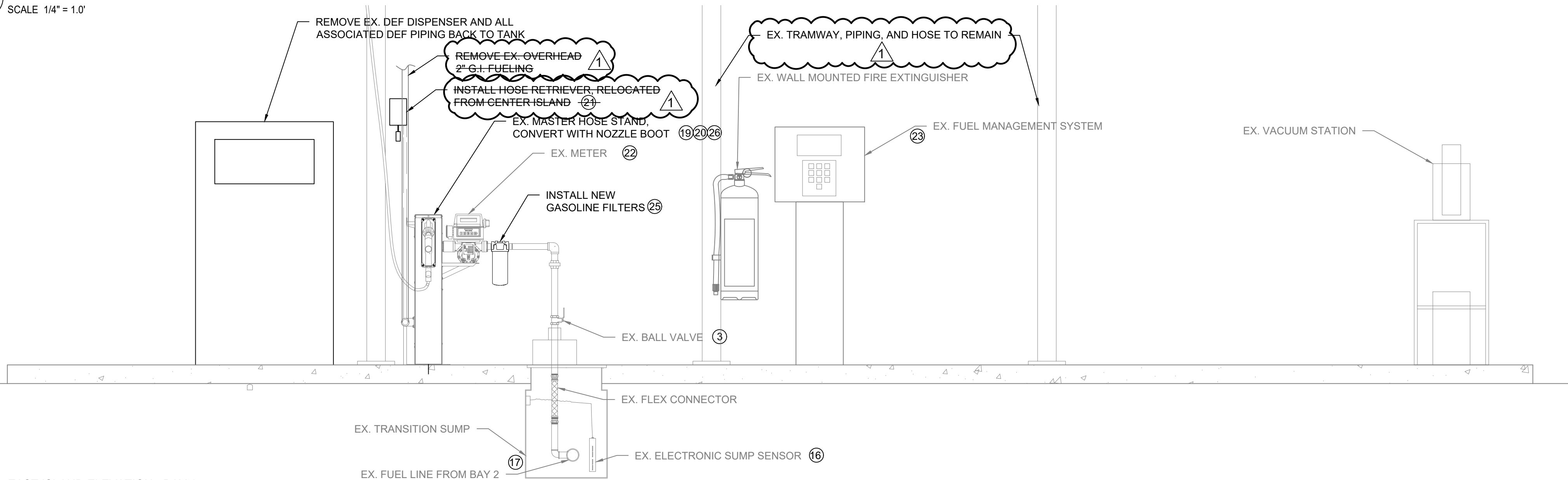
1 SOUTH ELEVATION
AST-2.0 SCALE 1/4" = 1.0'



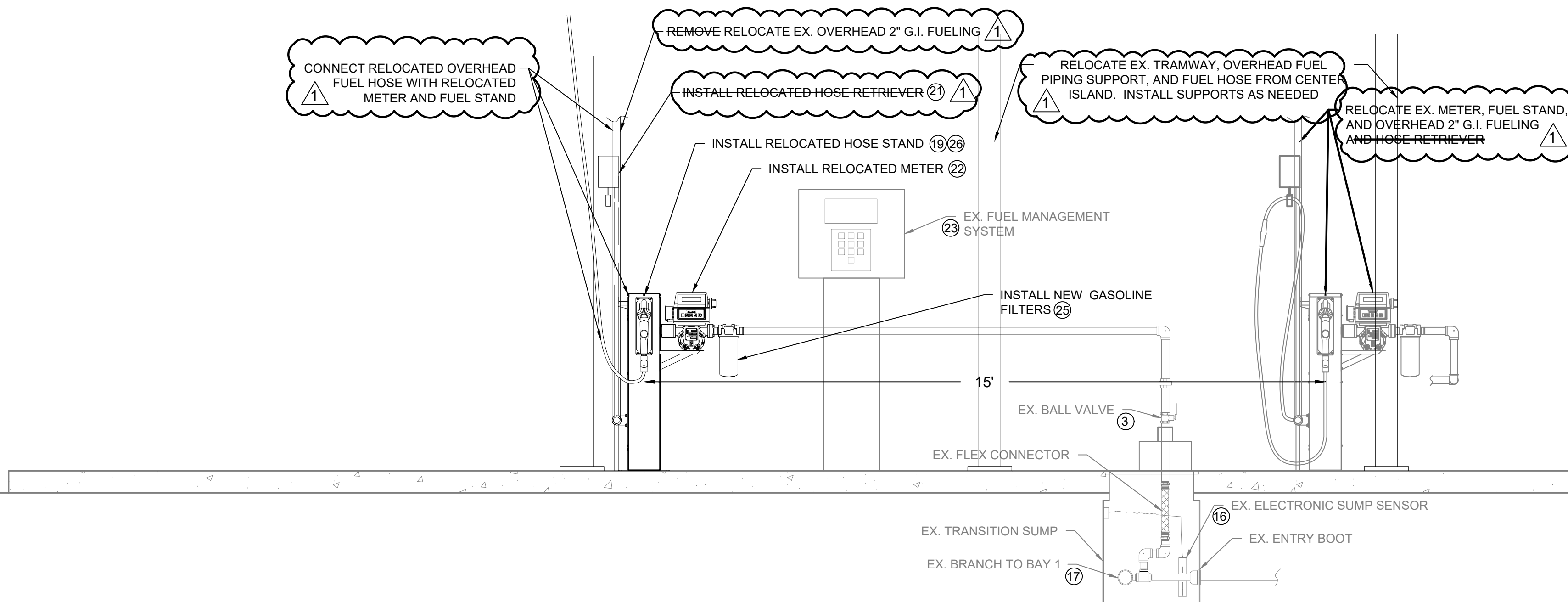
2 AST WEST ELEVATION
AST-2.0 SCALE 1/4" = 1.0'



3 AST EAST ELEVATION
AST-2.0 SCALE 1/4" = 1.0'



4 EAST ISLAND ELEVATION - BAY 1
AST-2.0 SCALE 1/2" = 1.0'

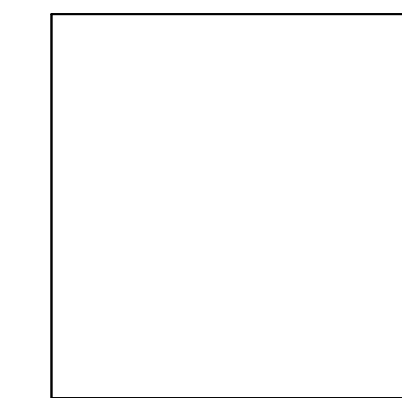


6 WEST ISLAND ELEVATION - BAY 2
AST-2.0 SCALE 1/2" = 1.0'

EQUIPMENT LIST

NO.	QTY.	FURN BY*	ITEM	MAKE/MODEL	ELECTRICAL REQUIREMENTS	COMMENTS
1	1	CONTR	12,000-GAL CAPACITY FUEL STORAGE TANK	HIGHLAND/FIREGUARD		UL 2085 COMPLIANT, 10-FT DIA. INCLUDE DECALS AND LABELS PER NFPA
2	1	EXISTING	SUBMERSIBLE PUMP	FE PETRO/VL2		ADJUST LENGTH, NEW WIRING HARNESS REQUIRED
3	1	CONTR	BALL VALVE	MORRISON/691-08001V		
4	1	CONTR	SOLENOID VALVE	MORRISON/710-02001V	120V/30W	
5	1	CONTR	LINE LEAK DETECTOR	FE PETRO/403168903		
6	1	CONTR	PRIMARY EMERGENCY VENT	MORRISON/244		FACTORY INSTALLED
7	1	CONTR	INTERSTITIAL EMERGENCY VENT	MORRISON/244		FACTORY INSTALLED
8	1	CONTR	PRIMARY VENT CAP	OPW/623V-2203		
9	1	CONTR	INTERSTITIAL MONITOR	VEEDER-ROOT/794390-420		
10	1	CONTR	FILL PORT	MORRISON/515		LOCKABLE, 4 LEG STAND, FILL ADAPTOR, CAP, CHECK VALVE, VR1 DRY BREAK AND CAP
11	1	CONTR	STAGE 1 VAPOR RECOVERY PIPING	SCH 40 GALV. STEEL/2"		THREADED
12	1	EXISTING	FUSIBLE VALVE			
13	1	CONTR	CLOCK GAUGE	MORRISON/818-0100AG EVR		
14	1	EXISTING	AUTOMATIC TANK GAUGING PROBE (ATG)	VEEDER-ROOT/846396-307		REUSE EX. CABLE
14a	1	CONTR	OVERFILL PREVENTION VALVE	MORRISON/905AA-9300AVEVR		
15	1	EXISTING	HIGH LEVEL ALARM (HLA)	VEEDER-ROOT/		
16	3	EXISTING	SUMP SENSOR	VEEDER-ROOT		
17		EXISTING	UNDERGROUND PIPING	APT/		
18		CONTR	FILL PIPING	SCH 40 GALV/ STEEL/3"		THREADED
19	2	EXISTING	HOSE STAND	PMC/MSH-64BA		
20	1	CONTR	NOZZLE BOOT	PMC/7H-1290		
21	2	EXISTING	HOSE RETRIEVER			
22	2	EXISTING	METER	LIQUID CONTROLS/M-5-1		
23	2	EXISTING	FUEL MANAGEMENT PEDESTAL	FLEETWATCH/RIH3000R		
24	1	EXISTING	ELECTRONIC MONITORING CONSOLE	VEEDER-ROOT/TLS-450 PLUS		
25	4	CONTR	GASOLINE FILTERS			REPLACE DIESEL FILTERS WITH 10 MICRON GASOLINE FILTERS
26		CONTR	GASOLINE HANGING HARDWARE			
	2	CONTR	WHIP HOSE			
	2	CONTR	BREAK-A-WAY			
	2	CONTR	HOSE			
	2	CONTR	HOSE SWIVEL			
	2	CONTR	NOZZLE			
27	1	CONTR	GASOLINE FLOAT KIT	VEEDER-ROOT-886100-010		

GENERAL NOTES



P.E. STAMP

1	Addendum 1	5/5/21
No.	Revision/Issue	Date

COMPREHENSIVE ENVIRONMENTAL INCORPORATED



GATEWAY CROSSING
1 HARTFORD SQUARE - EAST, SUITE 227
NEW BRITAIN, CT 06052

acorn Consulting Engineers Inc
- Mechanical - Electrical Engineering for Building Systems -
P.O. Box 311 Farms Village Plaza - 244 Farms Village Road
West Simsbury, CT 06092 - (860) 651-1948 fax (860) 651-1957
www.acornengineers.com

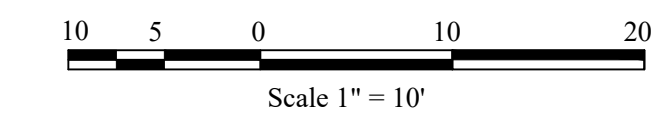
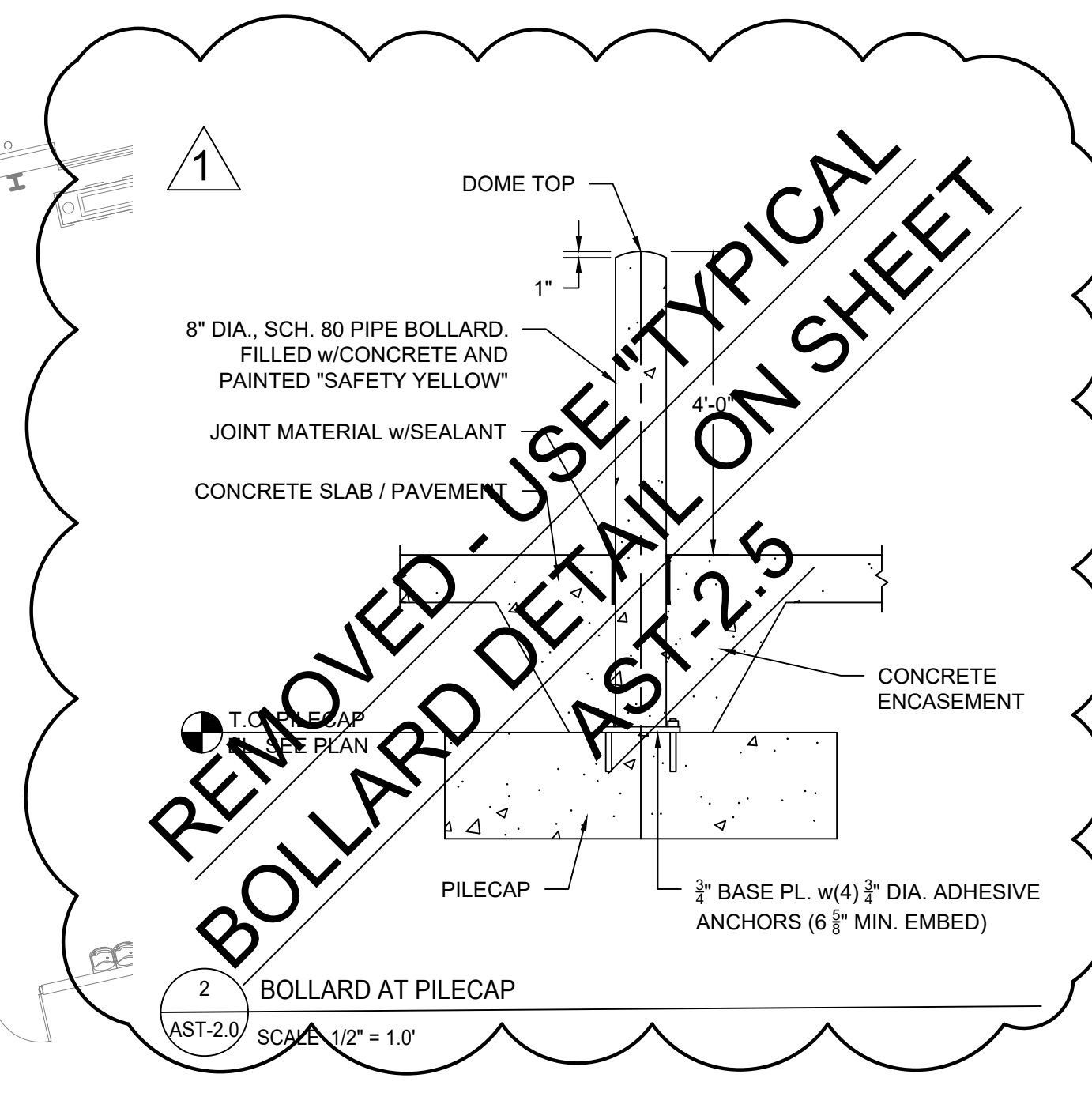
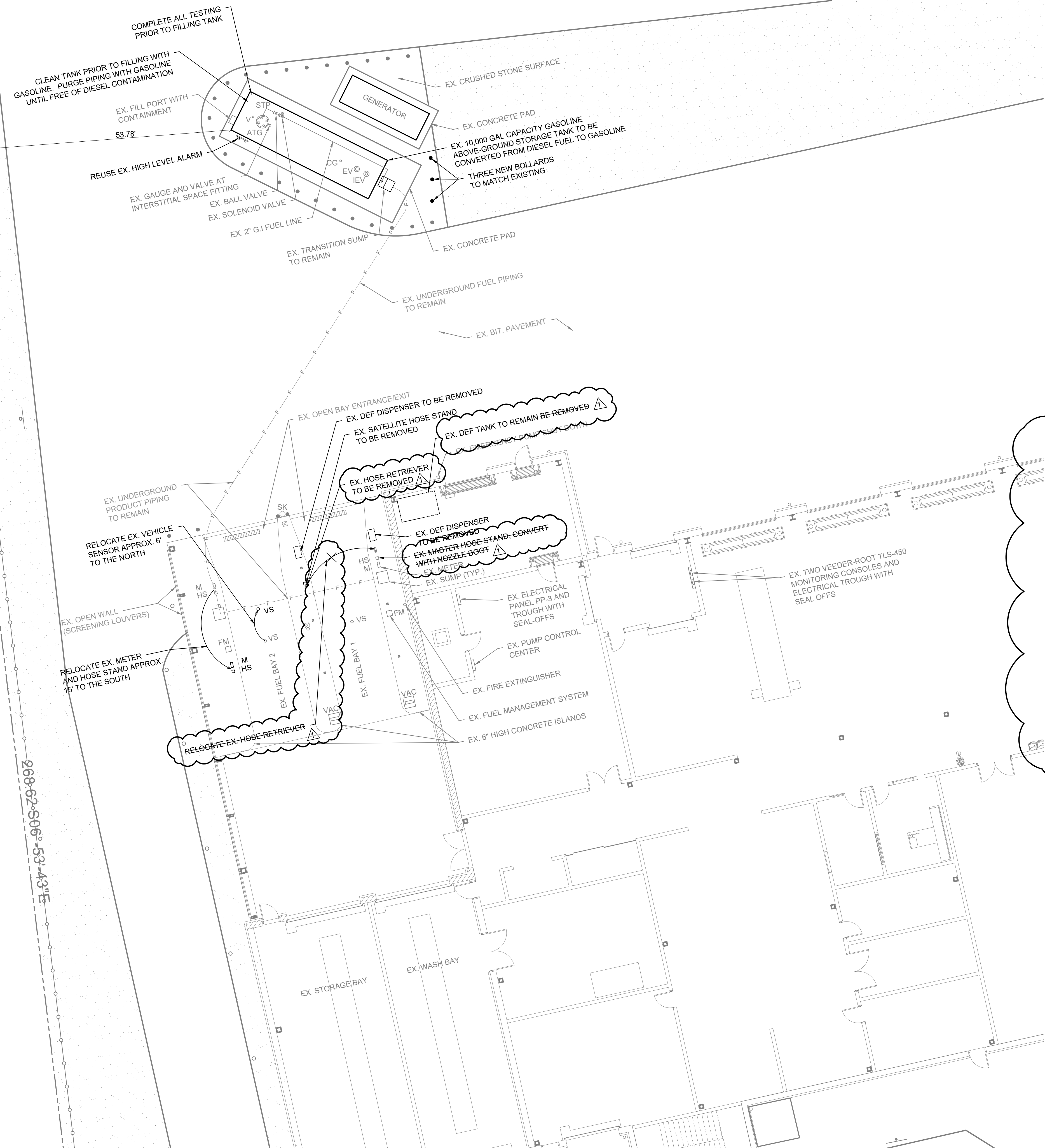
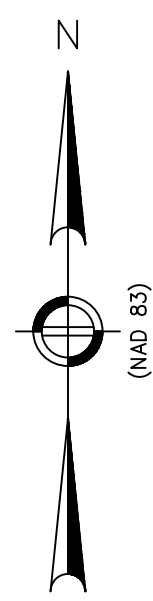
CMG ENVIRONMENTAL SERVICES
ENGINEERING SERVICES
67 HALL ROAD
STURBRIDGE, MA 01566
PHONE: 774-281-0901
FAX: 774-281-0906

OPTION 1 - AST REPLACEMENT DETAILS

DIESEL TO GAS FUEL CONVERSION
148 ROBERTS STREET
EAST HARTFORD, CT 06108

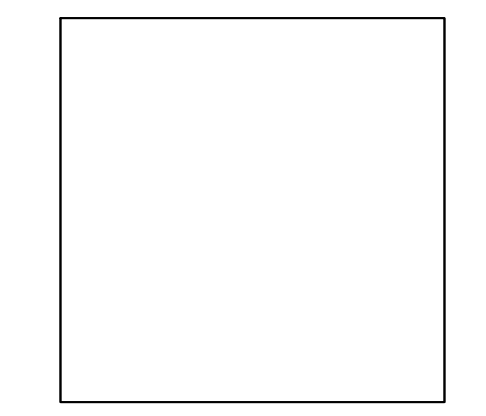
Project No.: 2019-089
Date: 01/19/2021
Drawn By: SH
Checked By: MS
Scale: AS SHOWN

AST-1.4



PLAN REFERENCE:
 BASE PLAN PER PLAN ENTITLED "LAYOUT PLAN", PREPARED FOR GREATER HARTFORD TRANSIT DISTRICT, BY GREGG WIES & GARDNER ARCHITECTS, LLC, 151 EAST STREET, NEW HAVEN, CT 06511, SCALE: 1"=40', DATED 06/18/2015

GENERAL NOTES



P.E. STAMP

No.	Revision/Issue	Date
1	Addendum 1	5/5/21

COMPREHENSIVE ENVIRONMENTAL INCORPORATED



GATEWAY CROSSING
 1 HARTFORD SQUARE—EAST, SUITE 227
 NEW BRITAIN, CT 06052



Acorn Consulting Engineers Inc
 Mechanical • Electrical Engineering for Building Systems •
 P.O. Box 311 Farms Village Plaza • 244 Farms Village Road
 West Simsbury, CT 06092 • (860) 651-1948 fax: (860) 651-1957
 www.acornengineers.com

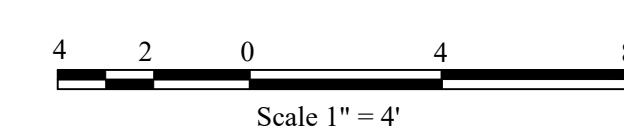
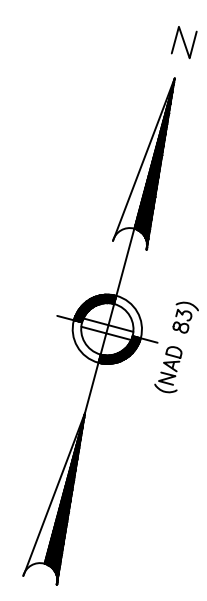
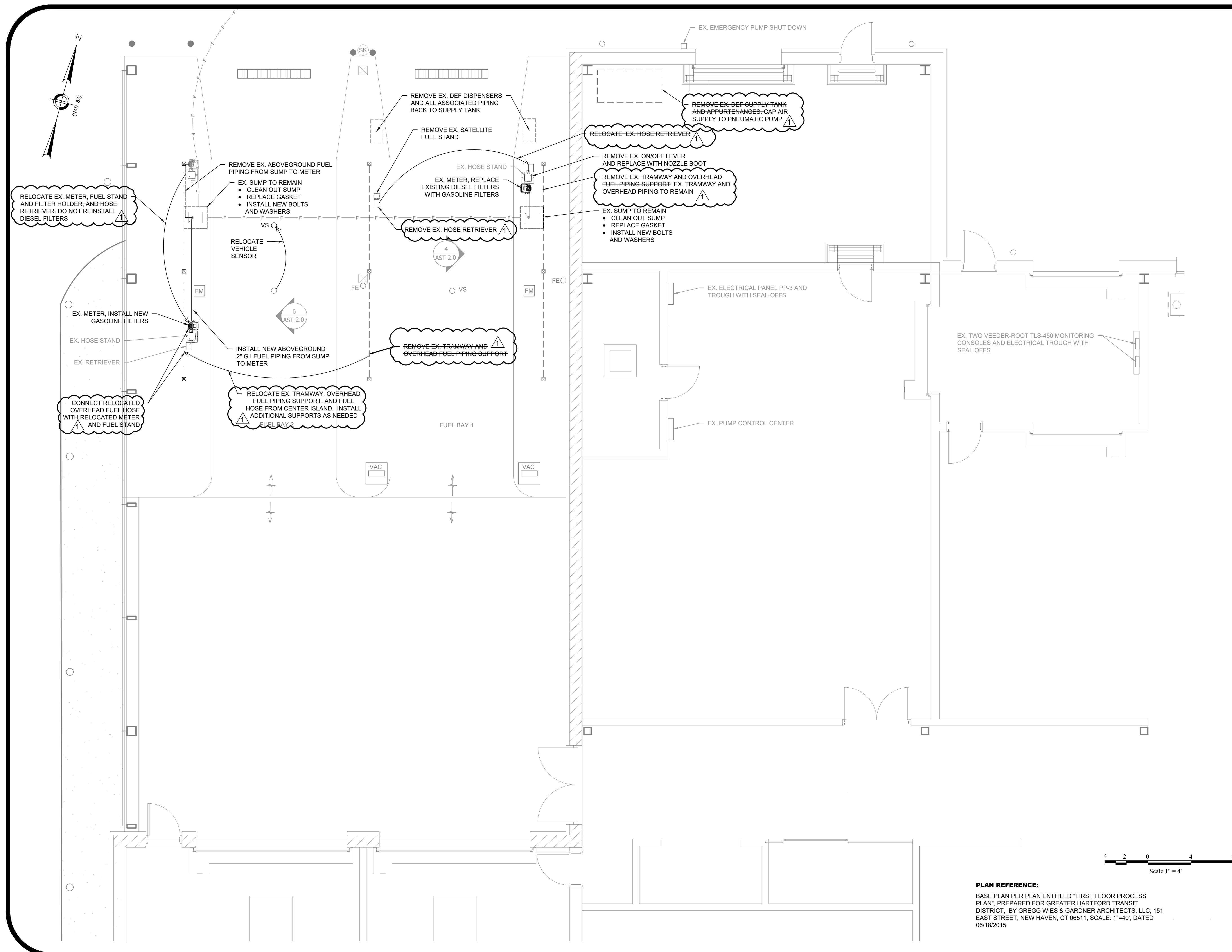


ENVIRONMENTAL SERVICES
 ENGINEERING SERVICES
 67 HALL ROAD
 STURBRIDGE, MA 01560
 PHONE: 774-261-0901
 FAX: 774-261-0906

OPTION 2 - AST CONVERSION GENERAL LAYOUT PLAN

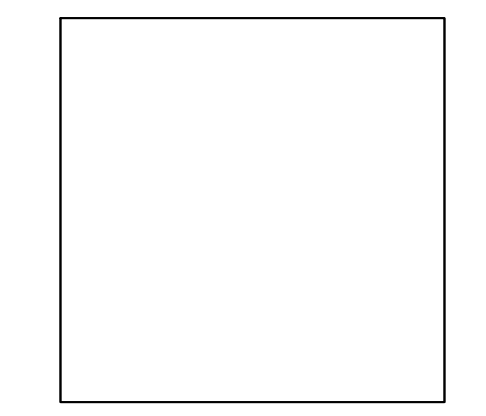
DIESEL TO GAS FUEL
 CONVERSION
 148 ROBERTS STREET
 EAST HARTFORD, CT 06108

Project No.: 2019-089	Sheet
Date: 01/19/2021	
Drawn By: SH	
Checked By: MS	AST-2.0
Scale: AS SHOWN	



PLAN REFERENCE:
 BASE PLAN PER PLAN ENTITLED "FIRST FLOOR PROCESS PLAN", PREPARED FOR GREATER HARTFORD TRANSIT DISTRICT, BY GREGG WIES & GARDNER ARCHITECTS, LLC, 151 EAST STREET, NEW HAVEN, CT 06511, SCALE: 1"=40', DATED 06/18/2015

GENERAL NOTES



P.E. STAMP

No.	Revision/Issue	Date
1	Addendum 1	5/5/21

COMPREHENSIVE ENVIRONMENTAL INCORPORATED



GATEWAY CROSSING
 1 HARTFORD SQUARE - EAST, SUITE 227
 NEW BRITAIN, CT 06052

acorn Consulting Engineers Inc



Mechanical • Electrical Engineering for Building Systems •
 P.O. Box 311 Farms Village Plaza • 244 Farms Village Road
 West Simsbury, CT 06092 • (860) 651-1948 fax: (860) 651-1957
 www.acornengineers.com

ENVIRONMENTAL SERVICES ENGINEERING SERVICES

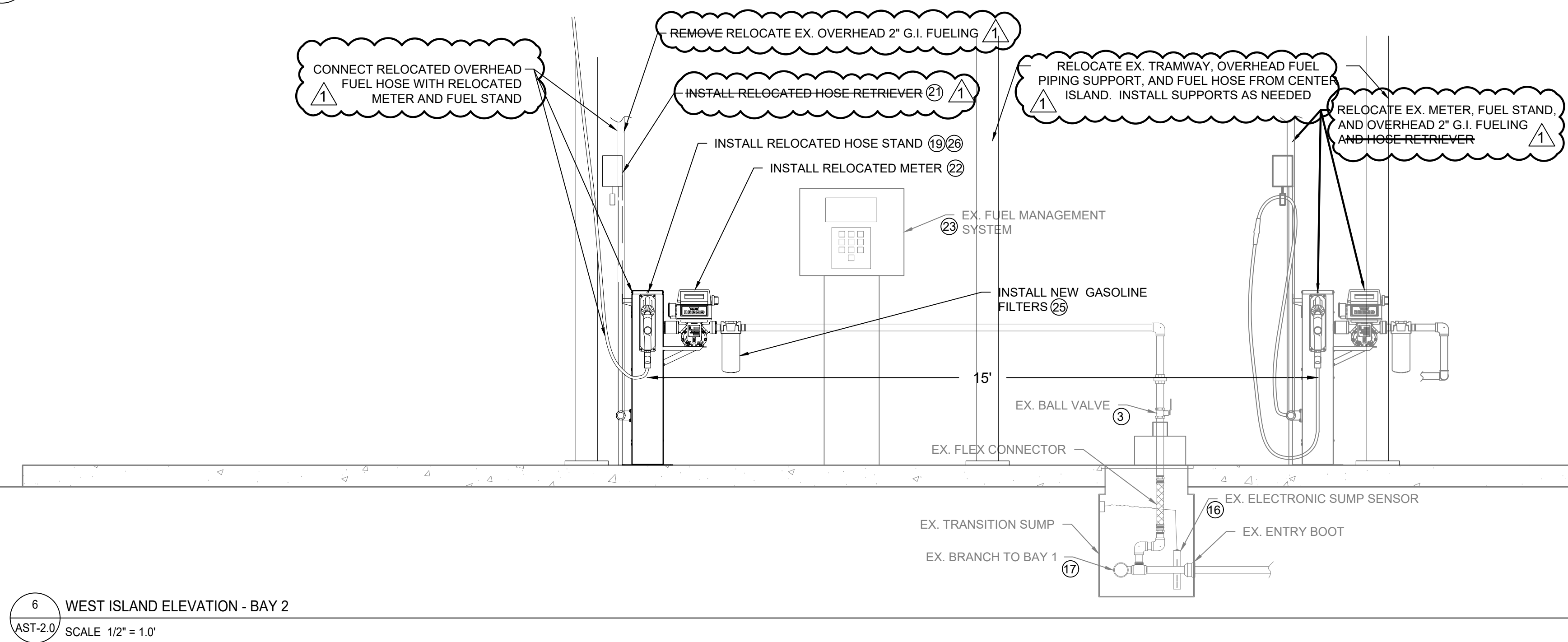
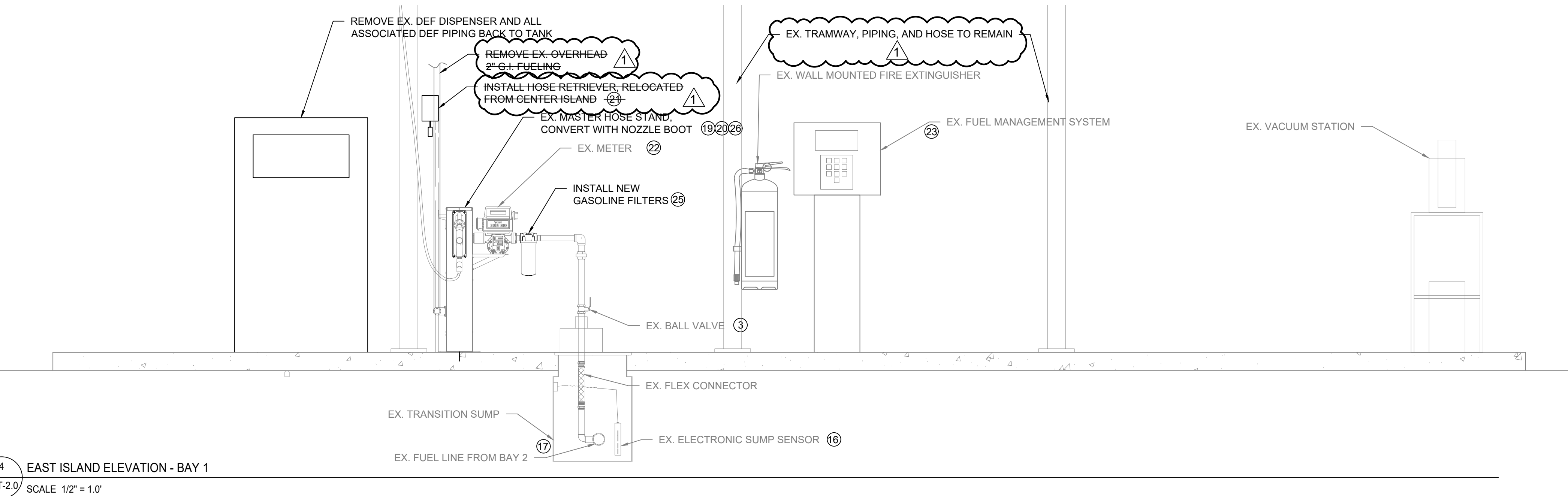
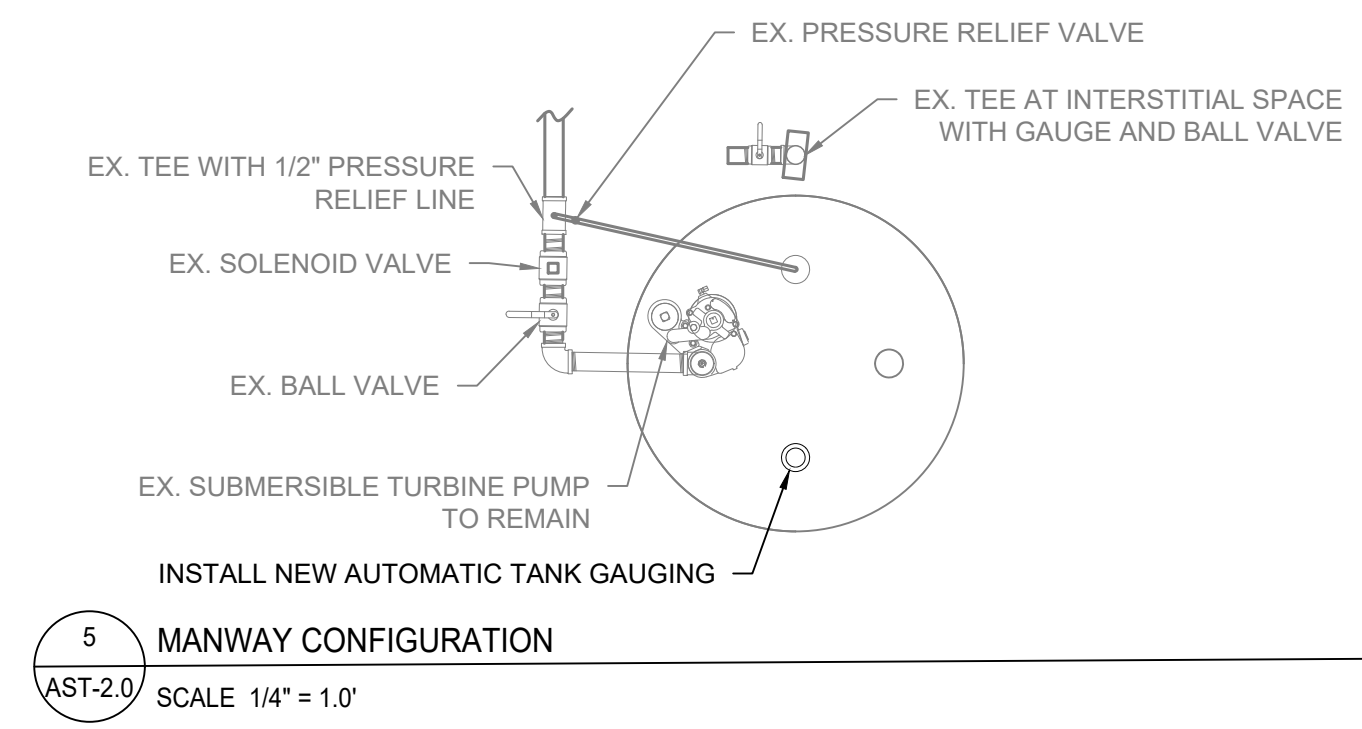
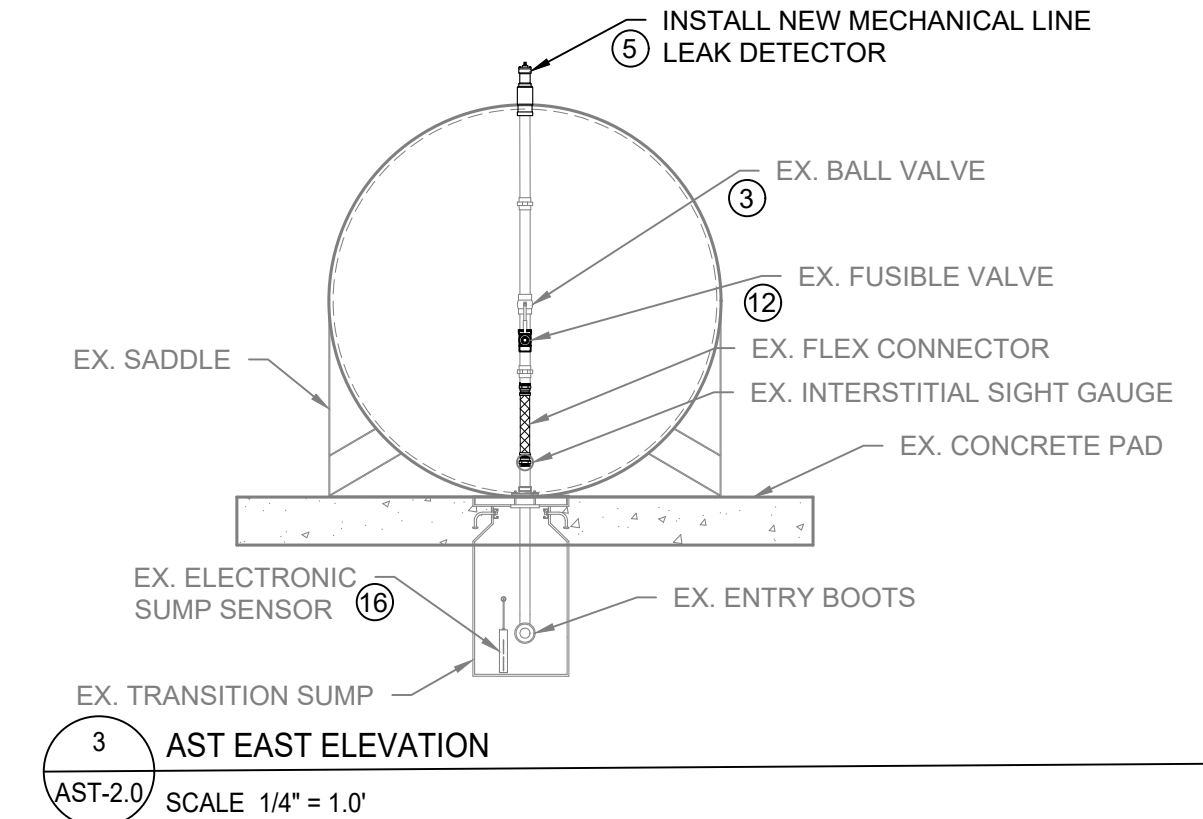
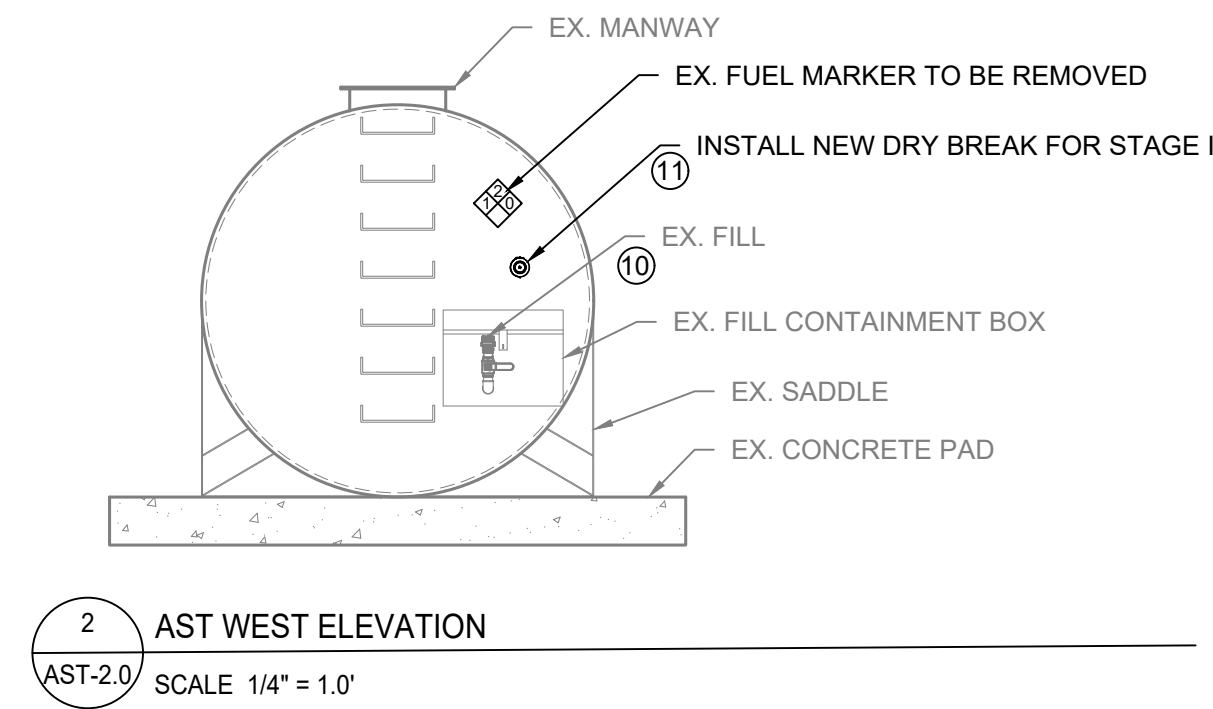
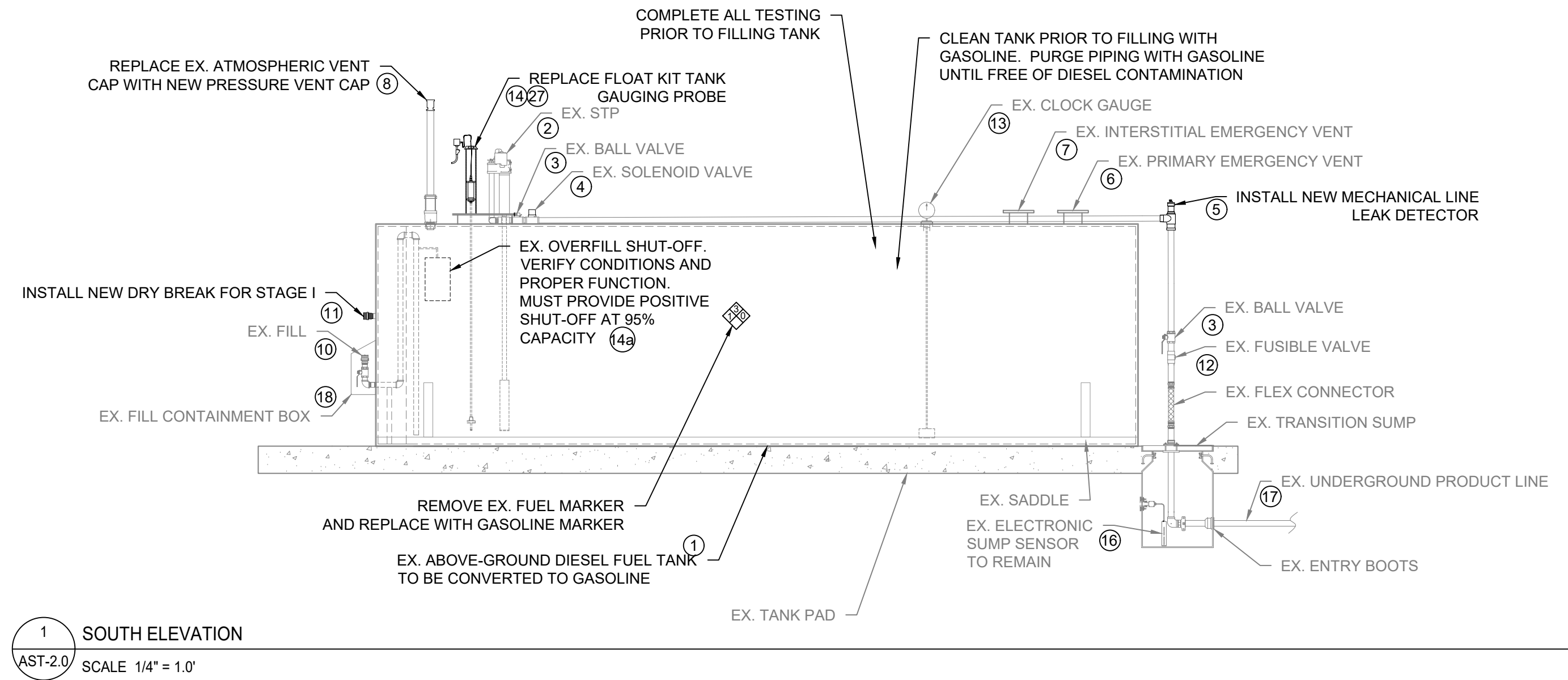


67 HALL ROAD
 STURBRIDGE, MA 01560
 PHONE: 774-261-0901
 FAX: 774-261-0906

OPTION 2 - AST CONVERSION FLOOR PLAN

DIESEL TO GAS FUEL CONVERSION
 148 ROBERTS STREET
 EAST HARTFORD, CT 06108

Project No.: 2019-089	Sheet
Date: 01/19/2021	AST-2.2
Drawn By: SH	
Checked By: MS	
Scale: AS SHOWN	



NO.	QTY.	FURN BY*	ITEM	MAKE/MODEL	ELECTRICAL REQUIREMENTS	COMMENTS
1	1	EXISTING	10,000-GAL CAPACITY FUEL STORAGE TANK	U-FUEL/FIRE RESISTANT		
2	1	EXISTING	SUBMERSIBLE PUMP	FE PETRO/VL2		
3	1	CONTR	BALL VALVE			
4	1	EXISTING	SOLENOID VALVE	OPW/821		
5	1	EXISTING	LINE LEAK DETECTOR	FE PETRO/403168903		
6	1	EXISTING	PRIMARY EMERGENCY VENT			
7	1	EXISTING	INTERSTITIAL EMERGENCY VENT			
8	1	CONTR	PRIMARY VENT CAP			
9	1	CONTR	INTERSTITIAL MONITOR	U-FUEL		CONFIRM PROPER FUNCTION
10	1	EXISTING	FILL ADAPTOR			
11	1	CONTR	STAGE I DRYBREAK	OPW/		
12	1	EXISTING	FUSIBLE VALVE			
13	1	EXISTING	CLOCK GAUGE			
14	1	EXISTING	AUTOMATIC TANK GAUGING PROBE (ATG)	VEEDER-ROOT/846396-107		REPLACE DIESEL FLOAT KIT WITH GASOLINE FLOAT KIT VERIFY
14b	1	EXISTING	OVERFILL PREVENTION VALVE			
15	1	EXISTING	HIGH LEVEL ALARM (HLA)	VEEDER-ROOT/		
16	3	EXISTING	SUMP SENSOR	VEEDER-ROOT/		
17	1	EXISTING	UNDERGROUND PIPING	APT/		
18	1	EXISTING	FILL CONTAINMENT BOX			
19	2	EXISTING	HOSE STAND	PMC/MSH-64BA		
20	1	CONTR	NOZZLE BOOT	PMC/7H-1290		REPLACE LEVER SWITCH
21	2	EXISTING	HOSE RETRIEVER			
22	2	EXISTING	METER	LIQUID CONTROLS/M-5-1		
23	2	EXISTING	FUEL MANAGEMENT PEDESTAL	FLEETWATCH/RIH3000R		
24	1	EXISTING	ELECTRONIC MONITORING CONSOLE	VEEDER-ROOT/TLS-450 PLUS		
25	4	CONTR	GASOLINE FILTERS			REPLACE DIESEL FILTERS WITH 10 MICRON GASOLINE FILTERS
26	2	CONTR	GASOLINE HANGING HARDWARE			
2	2	CONTR	WHIP HOSE			
2	2	CONTR	BREAK-A-WAY			
2	2	CONTR	HOSE			
2	2	CONTR	HOSE SWIVEL			
2	2	CONTR	NOZZLE			
27	1	CONTR	GASOLINE FLOAT KIT	VEEDER-ROOT-886100-010		

GENERAL NOTES

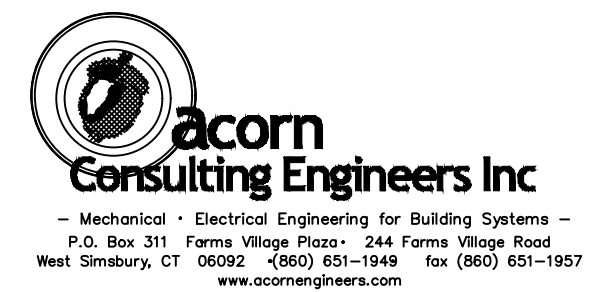
P.E. STAMP

1	Addendum 1	5/5/21
No.	Revision/Issue	Date

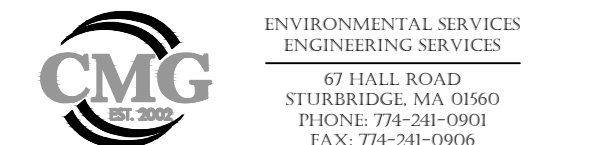
COMPREHENSIVE ENVIRONMENTAL INCORPORATED



GATEWAY CROSSING
1 HARTFORD SQUARE - EAST, SUITE 227
NEW BRITAIN, CT 06052



Acorn Consulting Engineers Inc.
Mechanical - Electrical Engineering for Building Systems -
P.O. Box 311 Farms Village Plaza - 244 Farms Village Road
West Simsbury, CT 06092 • (860) 651-1948 fax (860) 651-1957
www.acornengineers.com



ENVIRONMENTAL SERVICES
ENGINEERING SERVICES
67 HALL ROAD
STURBRIDGE, MA 01566
PHONE: 774-281-0901
FAX: 774-281-0906

OPTION 2 - AST CONVERSION DETAILS

DIESEL TO GAS FUEL
CONVERSION
148 ROBERTS STREET
EAST HARTFORD, CT 06108

Project No: 2019-089	Sheet
Date: 01/19/2021	
Drawn By: SH	
Checked By: MS	
Scale: AS SHOWN	

AST-2.4