

8/18/17	ADDENDUM 1	JCD
No.	Date	Description

UNION STATION TRANSPORTATION CENTER
BROWNSTONE MASONRY REPAIRS
1 UNION PLACE
HARTFORD, CT

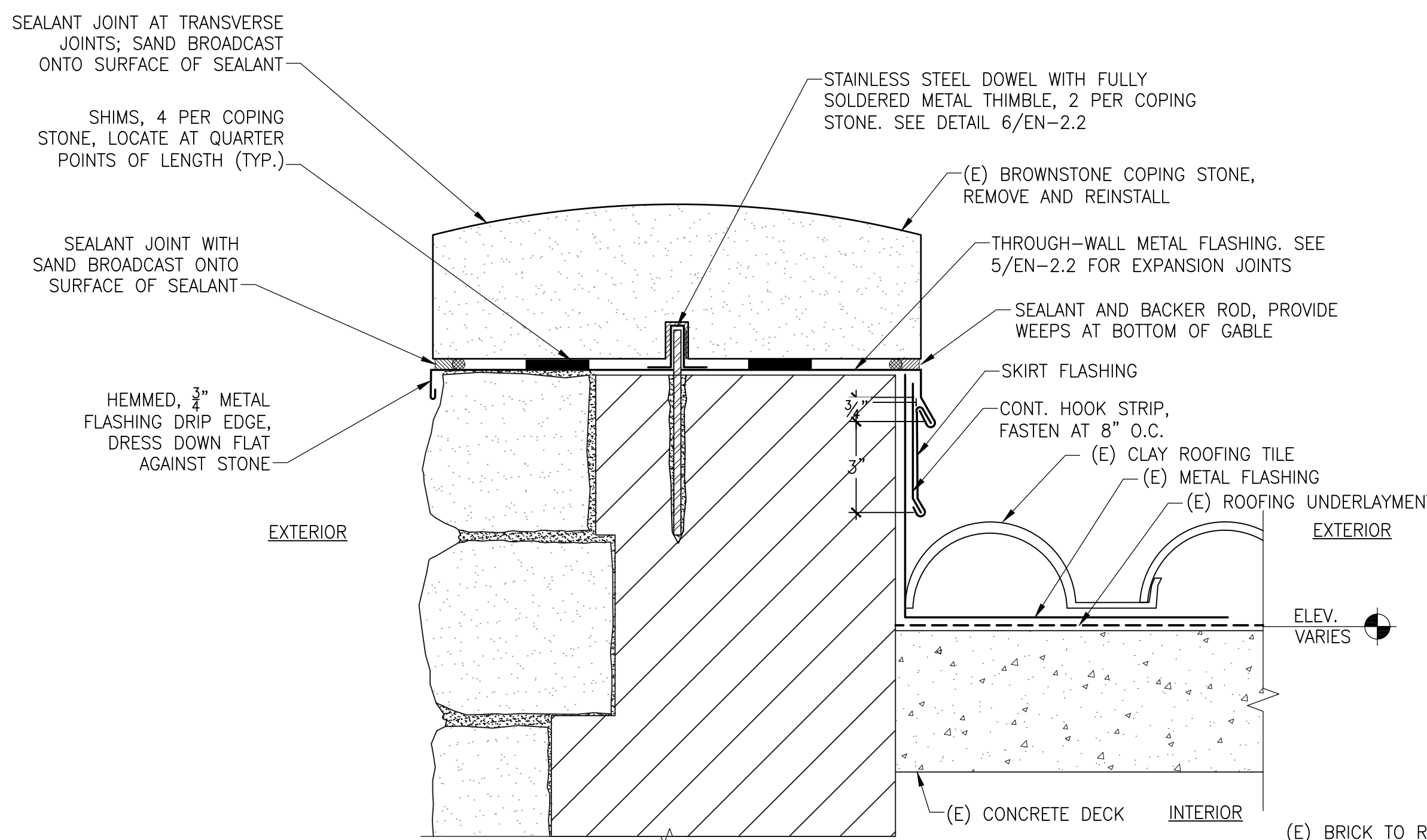
BROWNSTONE MASONRY REPAIR DETAILS

Drawing Title

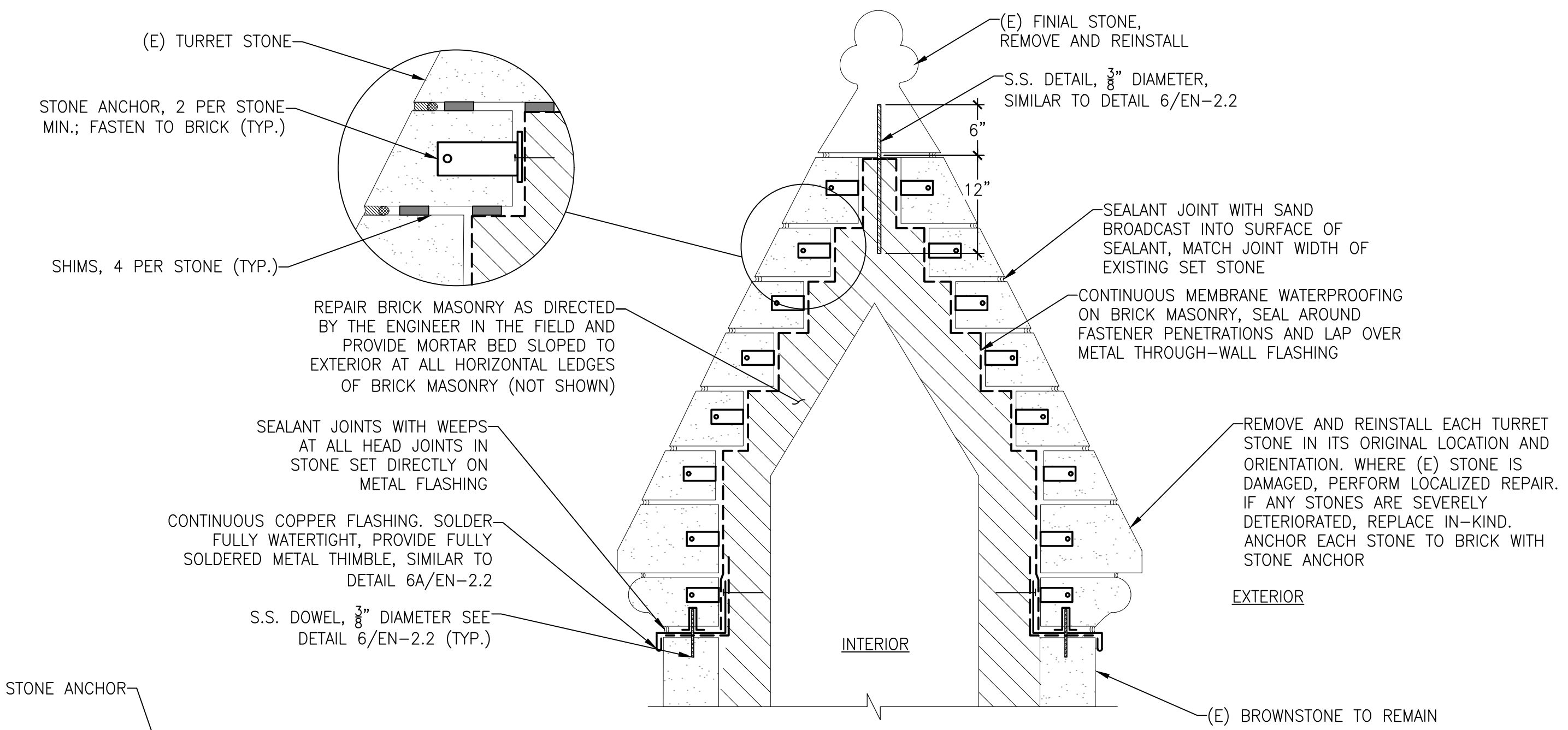
SGH Project No. 130525.02	Checked KSW	Date 07/31/17
Drawn JLT	Approved MBB	Scale NTS

Drawing No.

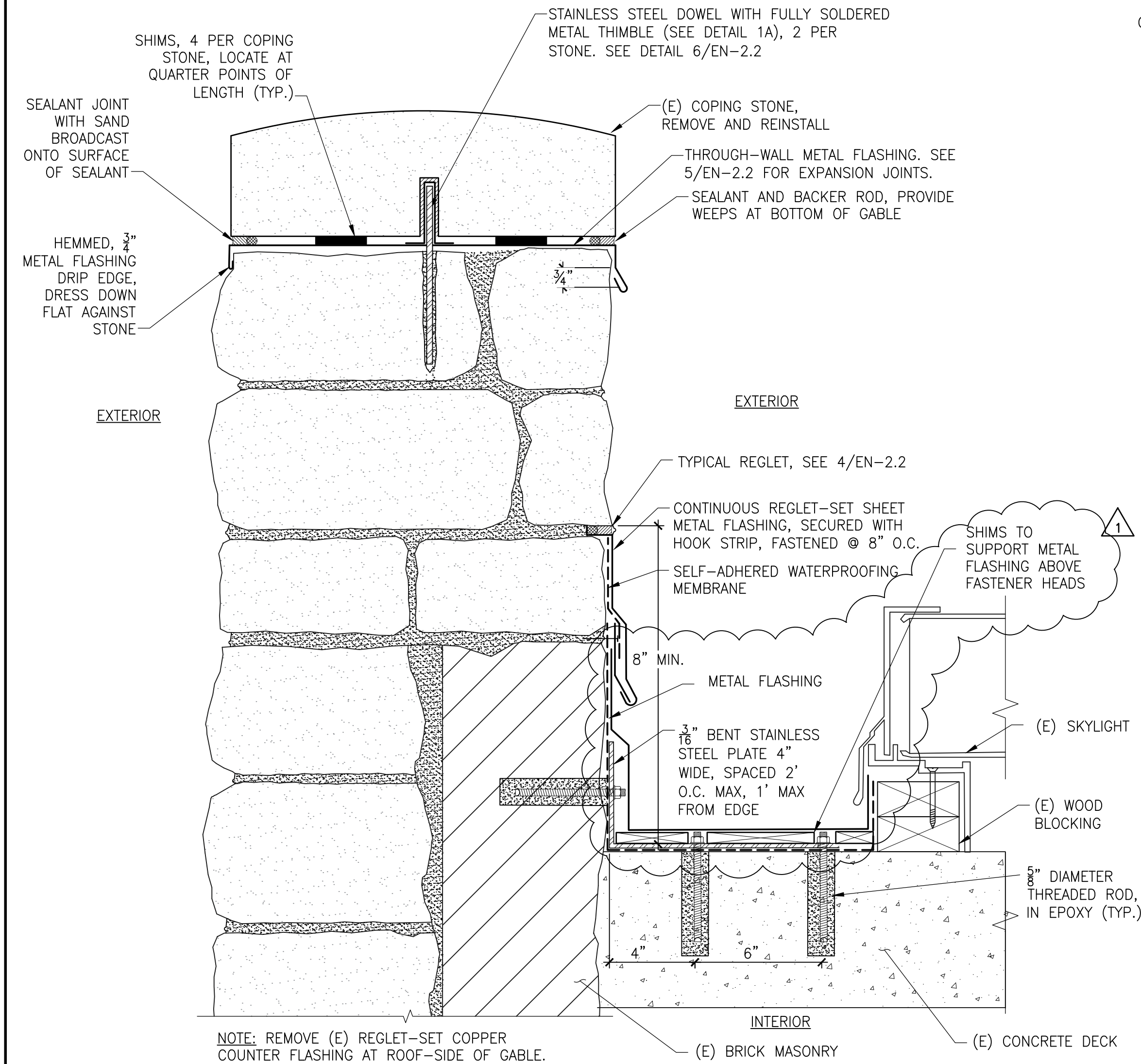
EN-2.2



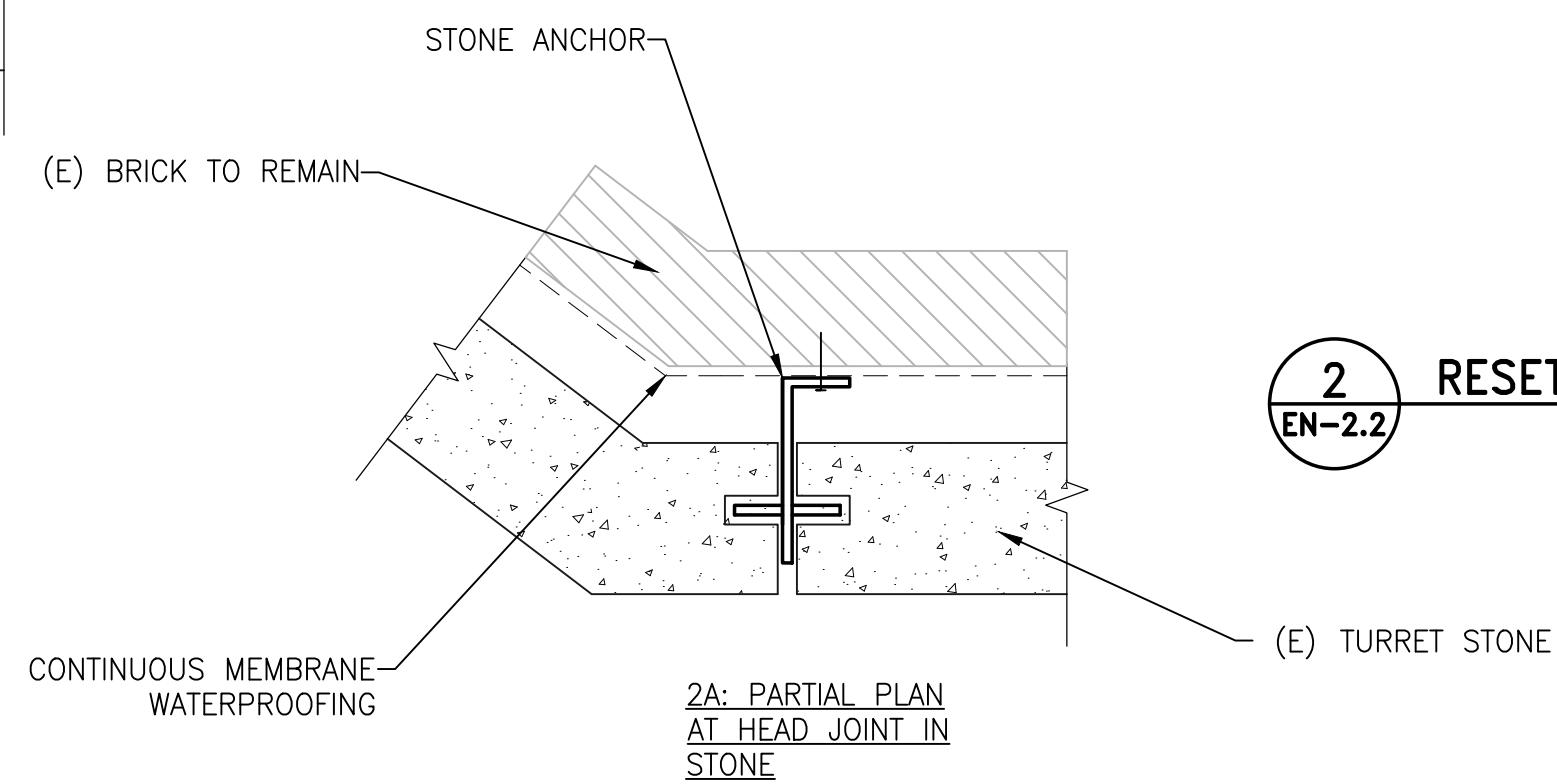
1 RESET COPING STONE AT GABLED ROOF - SECTION
SCALE: NTS



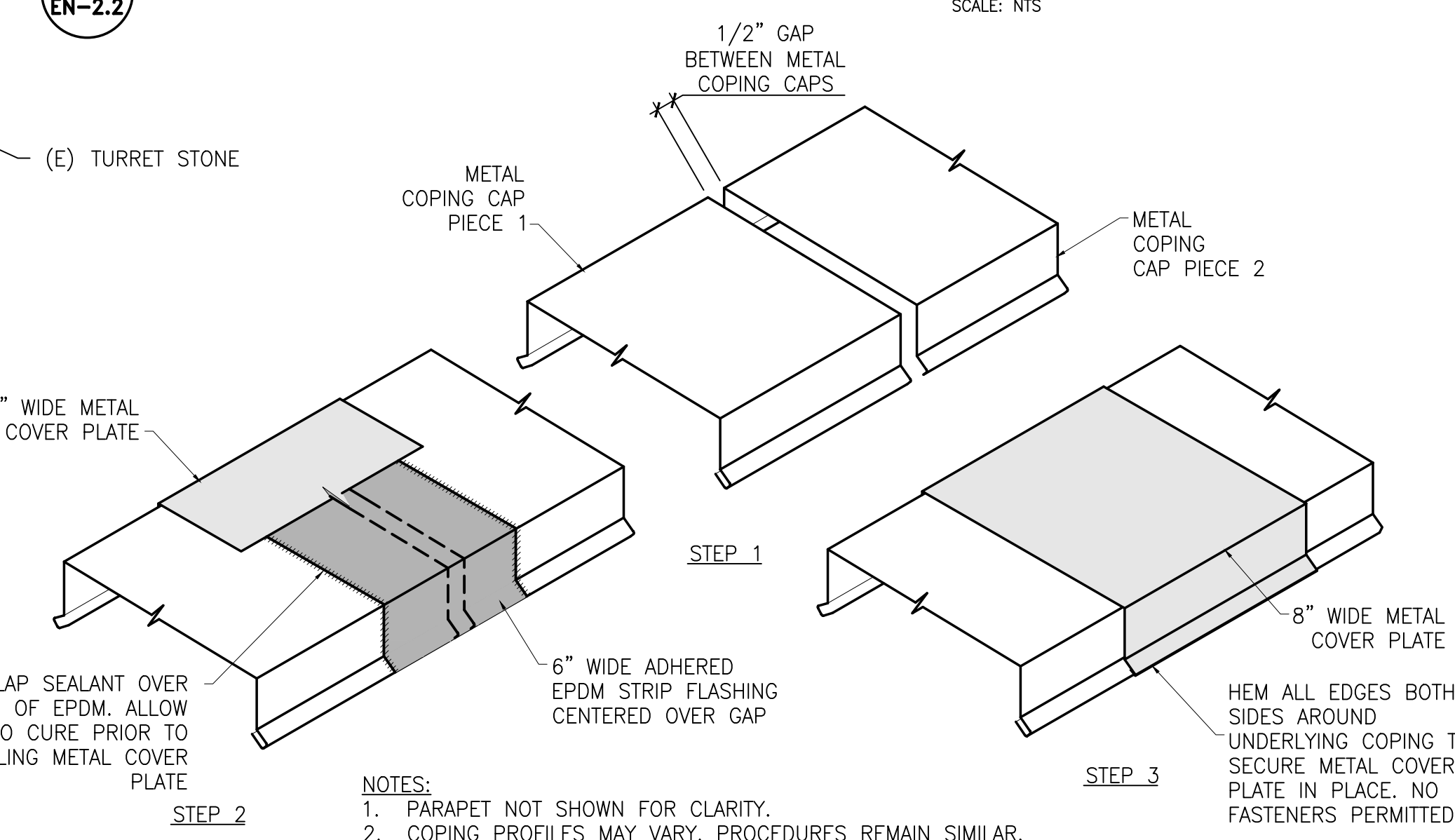
2 RESET STONES AT TURRET ROOF - SECTION
SCALE: NTS



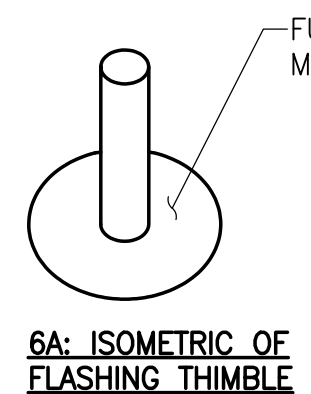
3 FLASHING AT UPPER PORTION OF GABLED ROOF - SECTION
SCALE: NTS



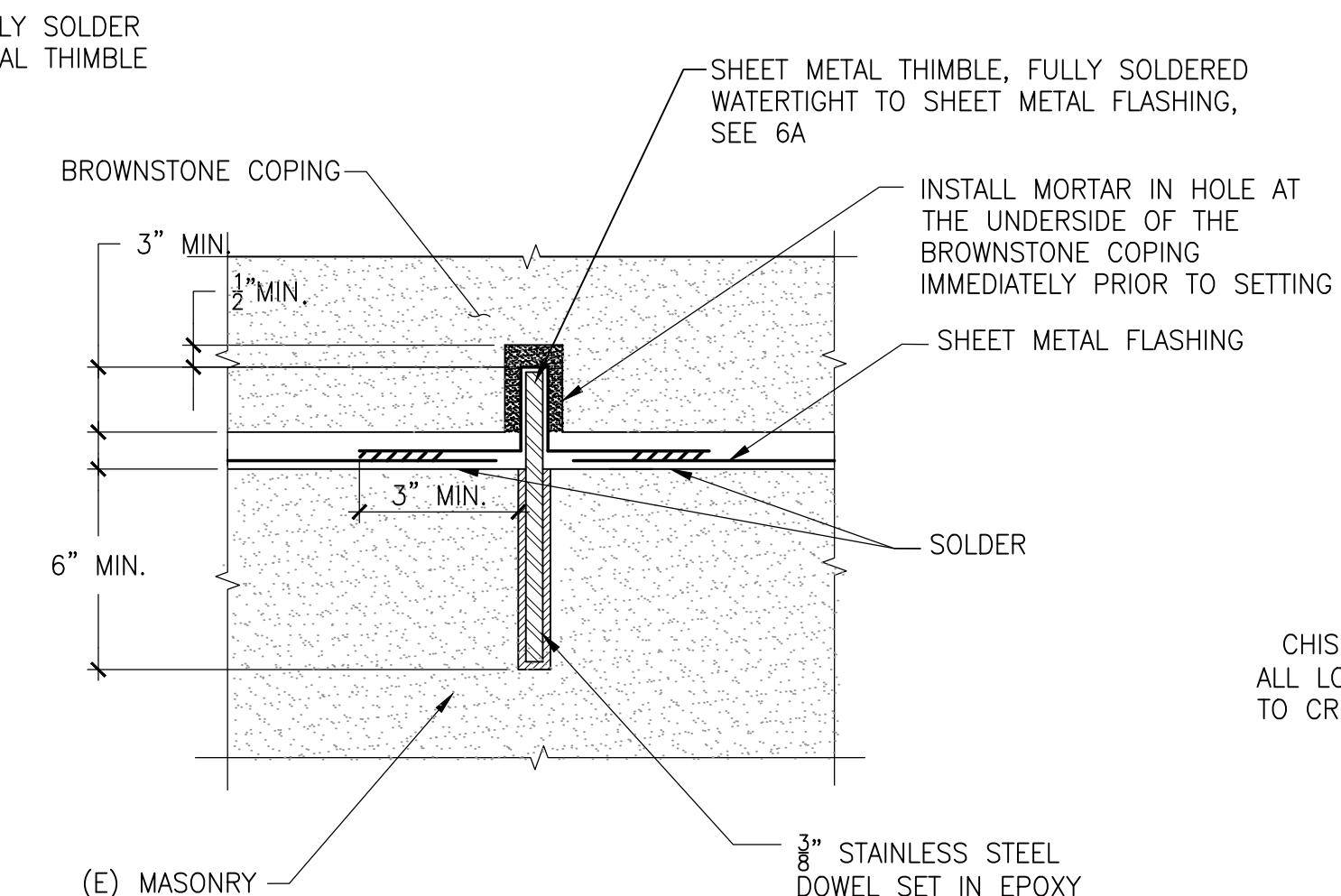
4 TYPICAL REGLET
SCALE: NTS



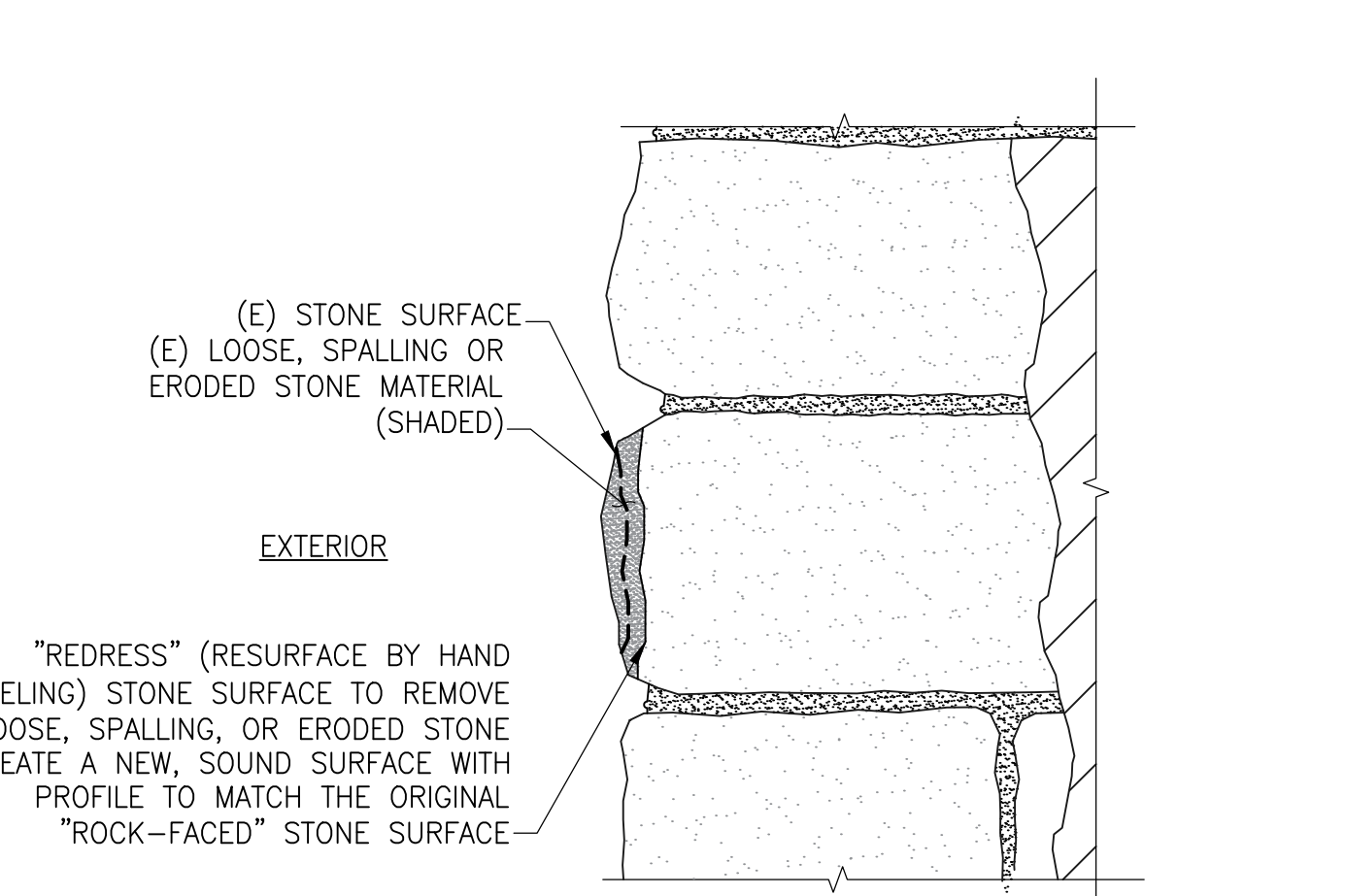
5 TYPICAL EXPANSION JOINT AT SHEET METAL FLASHING
SCALE: NTS



6A: ISOMETRIC OF FLASHING THIMBLE



6 TYPICAL STEEL DOWEL - SECTION
SCALE: NTS



7 TYPICAL STONE SURFACE REDRESSING - SECTION
SCALE: NTS